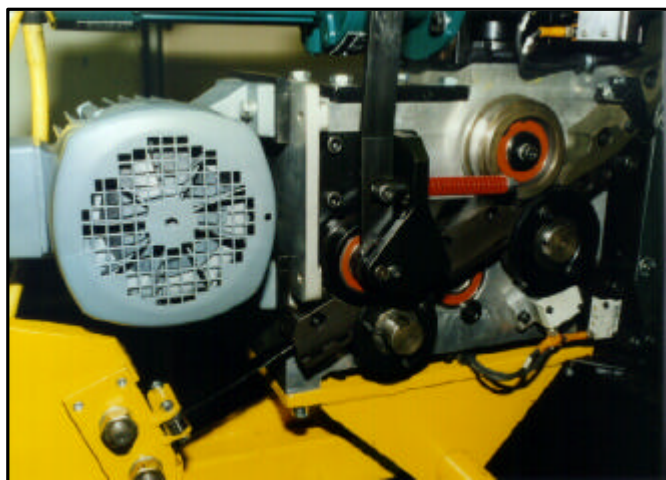
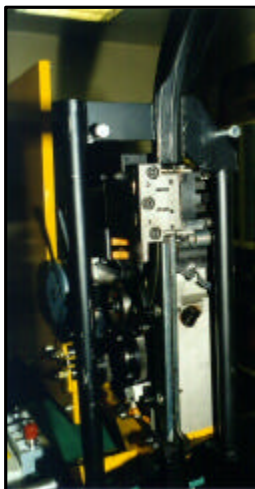
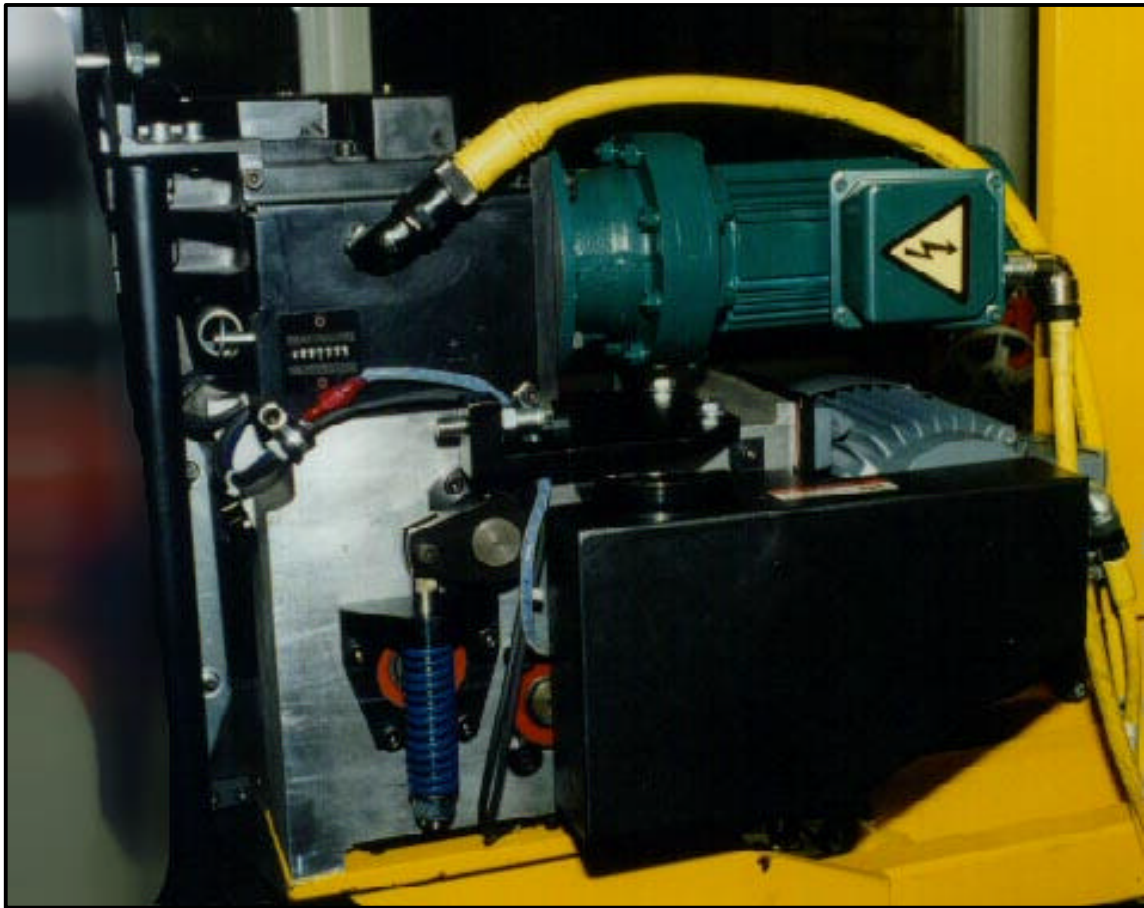


# KLS

## Steel strapping head



# KLS

## Steel strapping head

The KLS is a heavy duty strapping head designed to be used in combination with various steel strapping sizes ranging from 13 to 19 mm.

The head is used in fully automatic strapping installations and is suitable for a variety of applications in the steel and lumber industry.

### Machine features

- Robust design.
- Fully electrical head.
- Independent drive motors for strap feed and sealing.
- Off-centre construction for easy access to all replacement and service parts.
- Unique strap feeding system which reduces the number of strap jams considerably.
- Quick exchange sealer module.
- Electrically adjustable strap tension (7000 N max.).
- No need for adjustments in sealer module.
- Controllable strap overlap.
- Strap feed- and take-up speed of 1,25 m/s.
- Easy to maintain.
- Min.packface : 150 mm. (3-key version)  
100 mm. (2-key version)

### Sealing method

The punch and die system provides an excellent sealless joint. The punches are activated by a unique camshaft system. The standard head is equipped with three keys. A reverse lock key can be added. A two key system is also available and is used for special applications such as slit steel coils.

### Maintenance

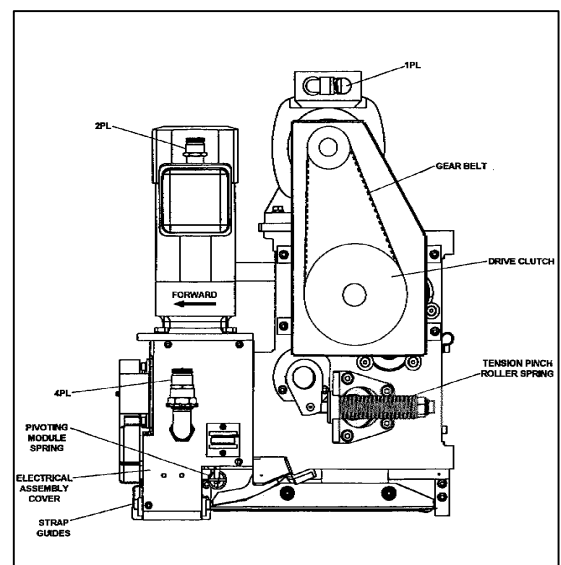
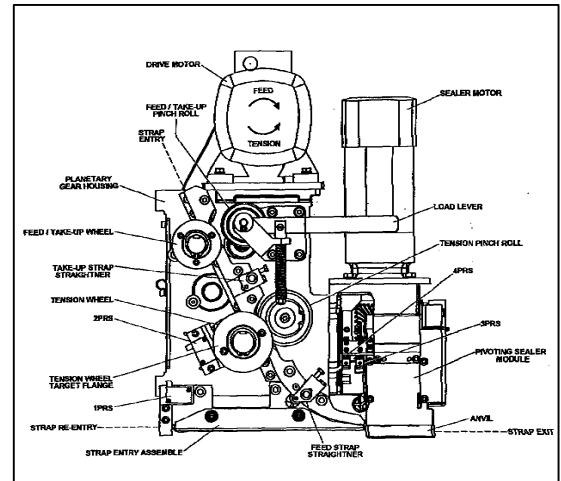
Due to the off-centre design, all important replacement parts are positioned outside the housing. The complete sealer module can be exchanged in only few minutes.

### Power requirements

- Voltage: 3 x 400 V – 50Hz
- Control voltage: 24 Volt DC

### Strapping qualities and sizes

- | Quality  | Size        | Thickness      |
|----------|-------------|----------------|
| ▪ Apex   | 13 - 19 mm. | 0,38 - 0,8 mm. |
| ▪ Magnus | 13 - 19 mm. | 0,38 - 0,8 mm. |



The company reserves the right to make technical changes without prior notification